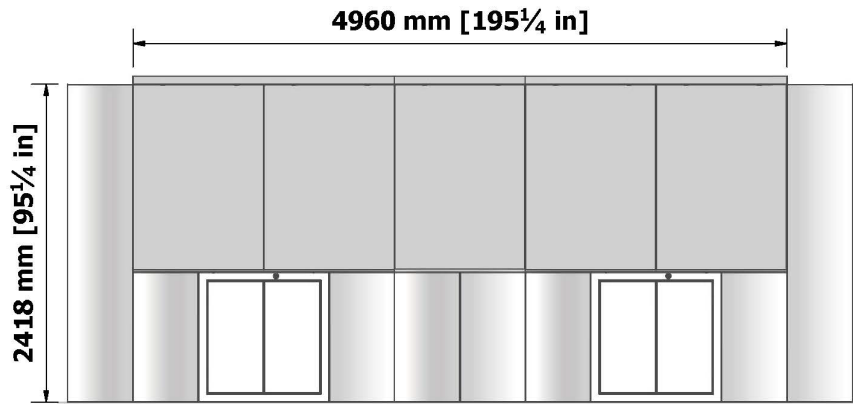
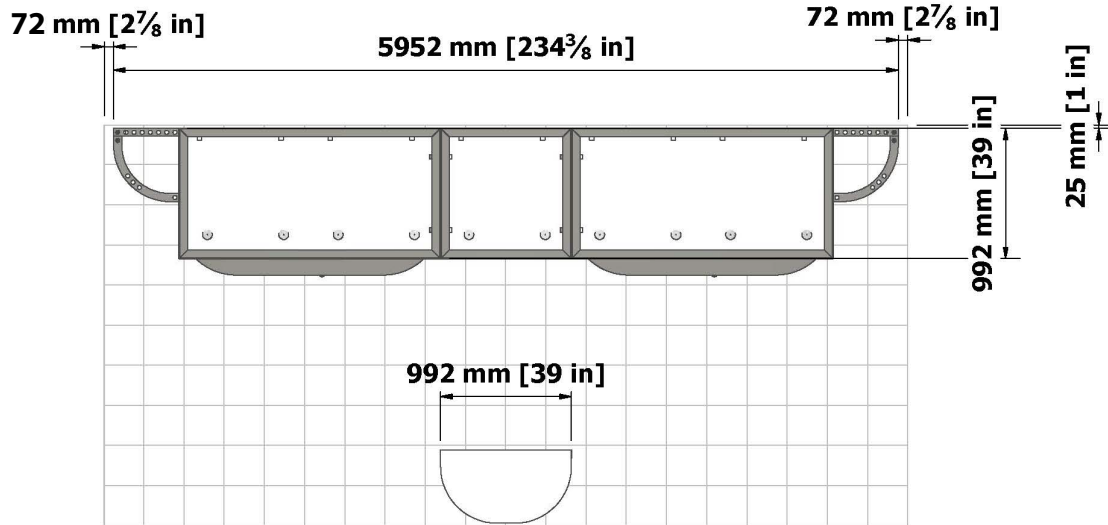


LAUNCH -> 10 X 20

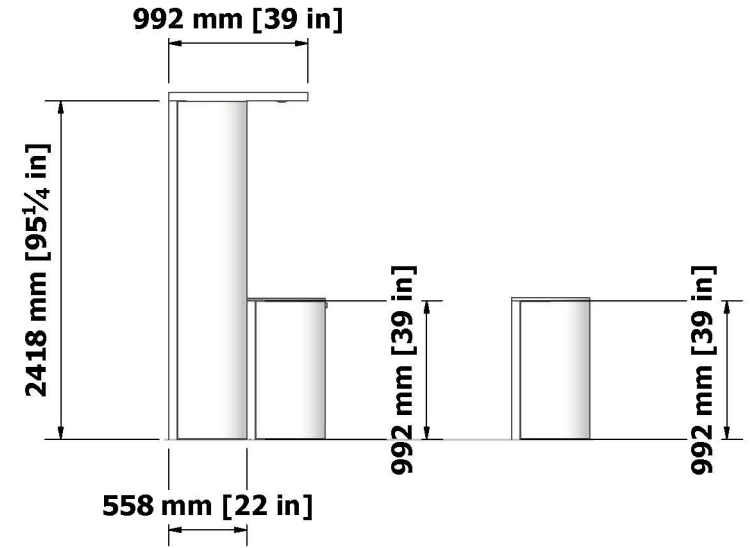
All concepts and designs by The Expo Group are protected under current Federal Copyright Laws. Unauthorized use or reproduction without the written consent of The Expo Group is forbidden.



FRONT VIEW

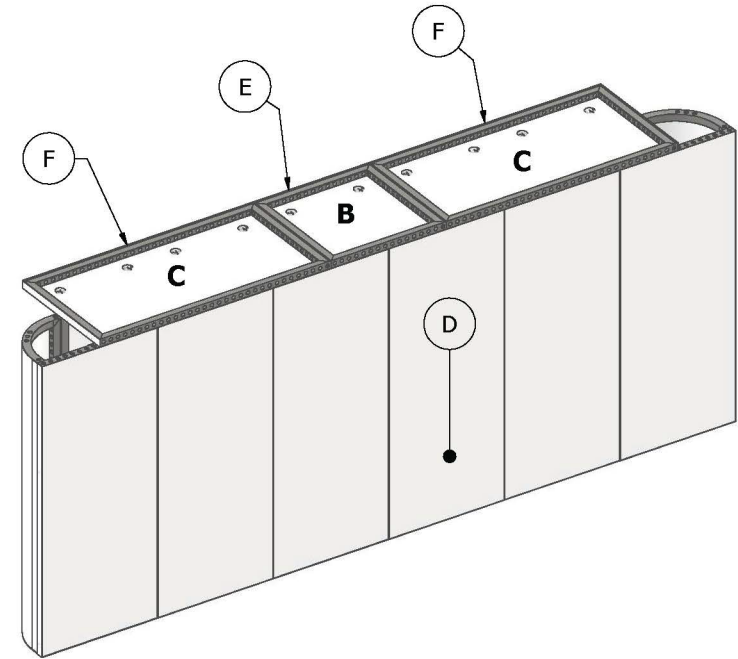
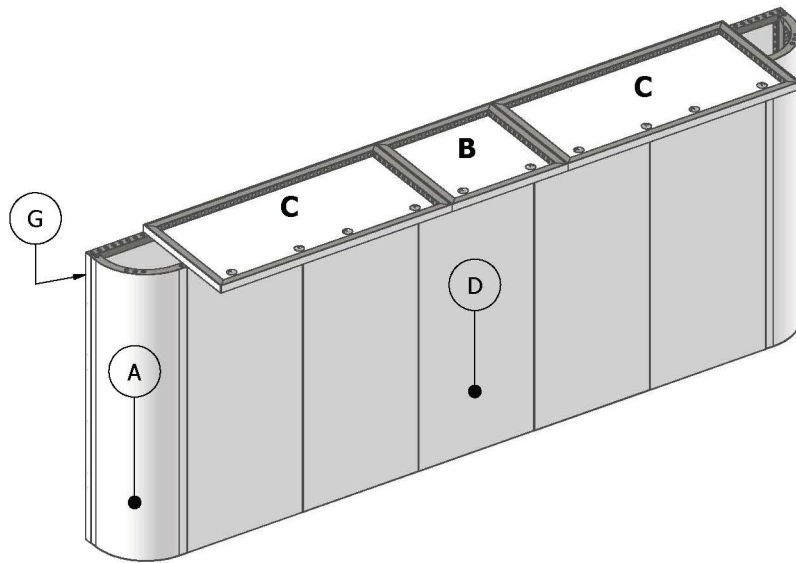


TOP VIEW



SIDE VIEW

LAUNCH -> 10 X 20

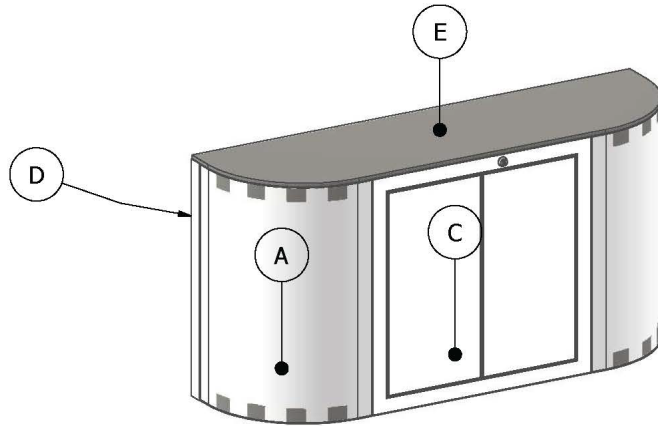


PANEL LIST

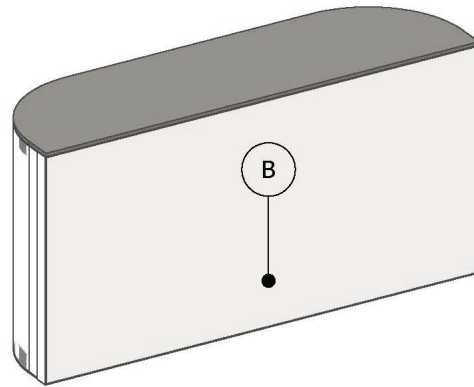
ITEM	QTY	ARTICLE	DESCRIPTION
A	2	Panel for 0496 2418 ARC Frame	31-1/2"L X 94-15/16"H [0800 X 2412MM]
B	1	Panel for 0992 0992 Frame	38-13/16" x 38-13/16" [0986 X 0986MM]
C	2	Panel for 0992 1984 Frame	38-13/16" x 77-7/8" [0986 X 1978MM]
D	11	Panel for 0992 2418 Frame	38-13/16 x 94-15/16" [986 x 2412MM]
E	3	Panel Strip for 0992 Frame	2-7/16" x 39-1/16"
F	2	Panel Strip for 1984 Frame	2-7/16" x 78-1/8"
G	2	Panel Strip for 2418 Frame	2-7/16" x 95-3/16"

LAUNCH -> 10 X 20

All concepts and designs by The Expo Group are protected under current Federal Copyright Laws. Unauthorized use or reproduction without the written consent of The Expo Group is forbidden.



QTY:2

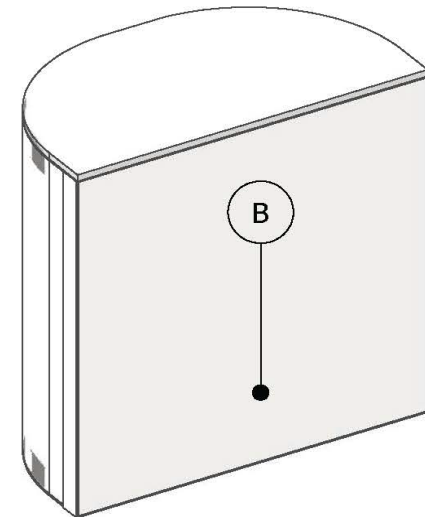
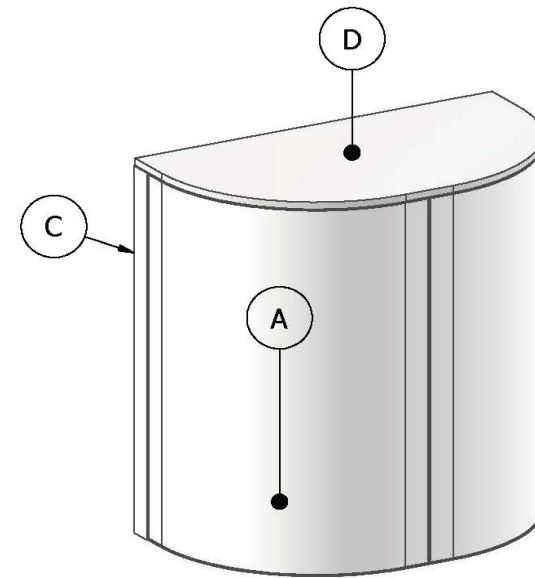


PARTS LIST

ITEM	QTY	ARTICLE	DESCRIPTION
A	2	Panel for 0496 0992 RAD Frame	31-1/2" x 38-13/16" [0800 X 0986MM] Outside Panel
B	1	Panel for 0992 1984 Frame	38-13/16" x 77-7/8" [0986 X 1978MM]
C	1	Door Panel Set	FRONT PANEL DOUBLE LOCKING STORAGE DOOR
D	2	Panel Strip for 0992 Frame	2-7/16" x 39-1/16"
E	1	2m curved counter top	

LAUNCH -> 10 X 20

PARTS LIST			
ITEM	QTY	ARTICLE	DESCRIPTION
A	2	Panel for 0496 0992 RAD Frame	31-1/2" x 38-13/16" [0800 X 0986MM] Outside Panel
B	1	Panel for 0992 0992 Frame	38-13/16" x 38-13/16" [0986 X 0986MM]
C	2	Panel Strip for 0992 Frame	2-7/16" x 39-1/16"
D	1	Curved Countertop	



LAUNCH -> 10 X 20